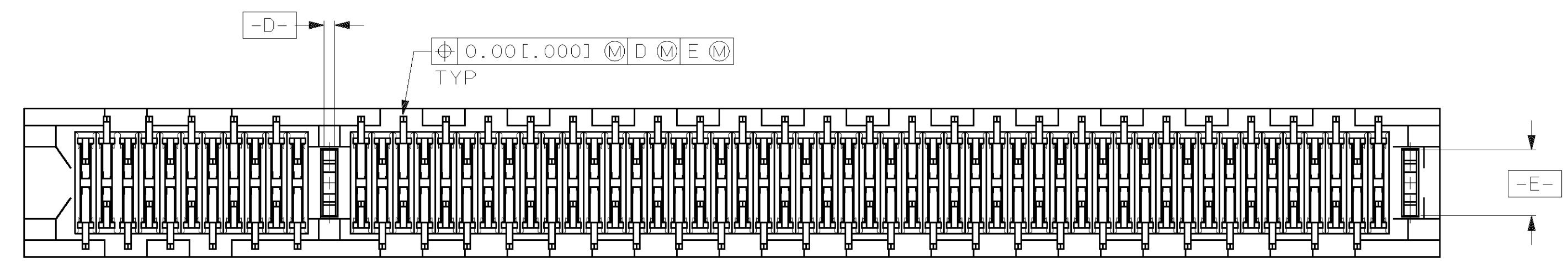
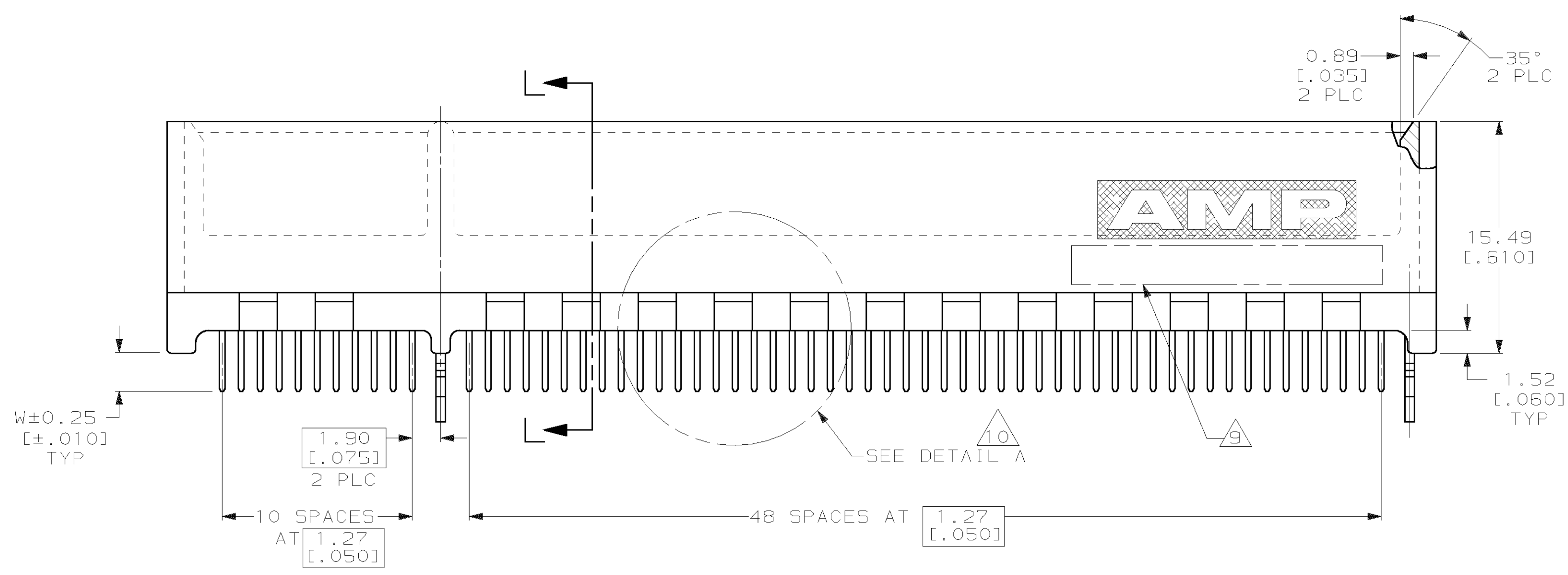
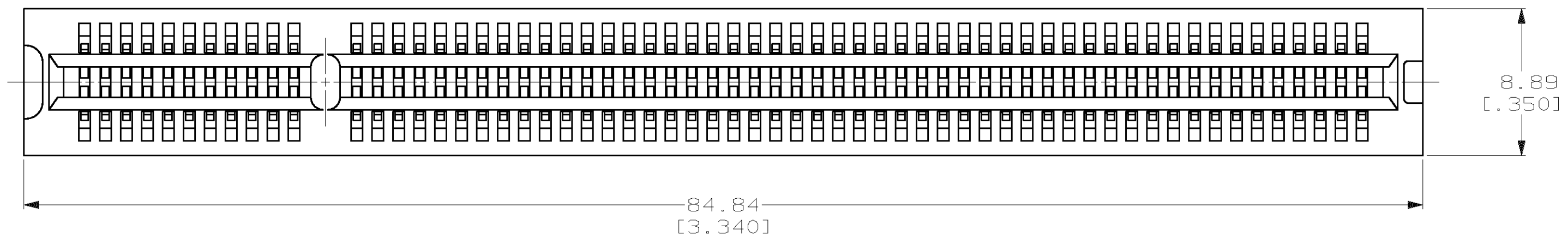
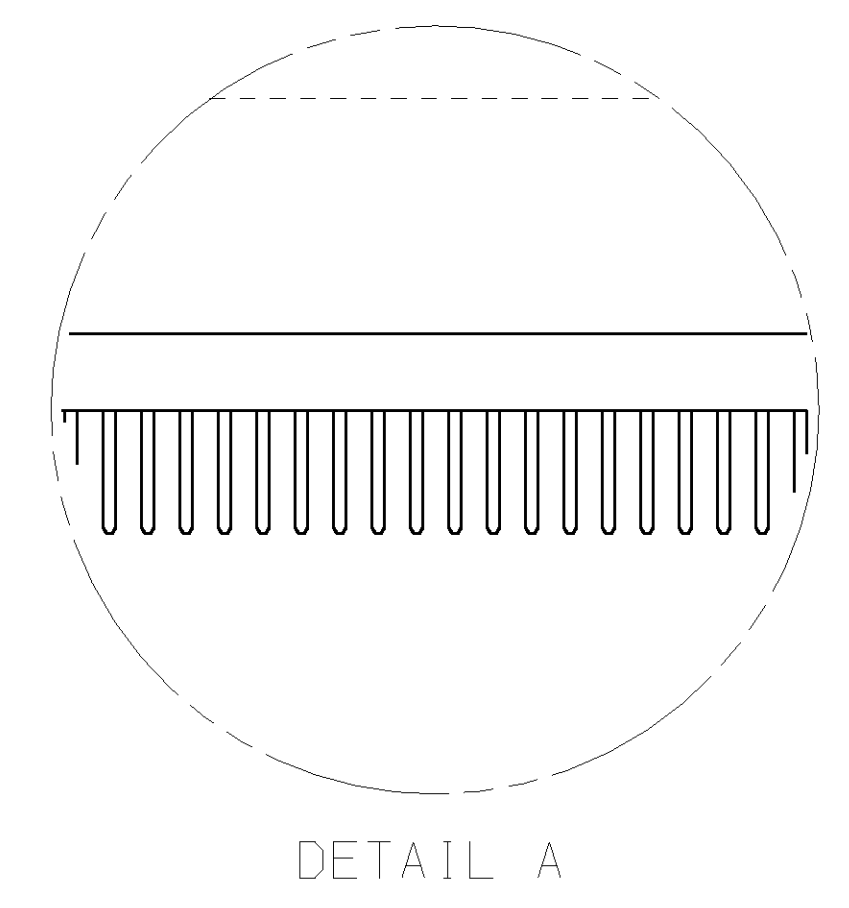


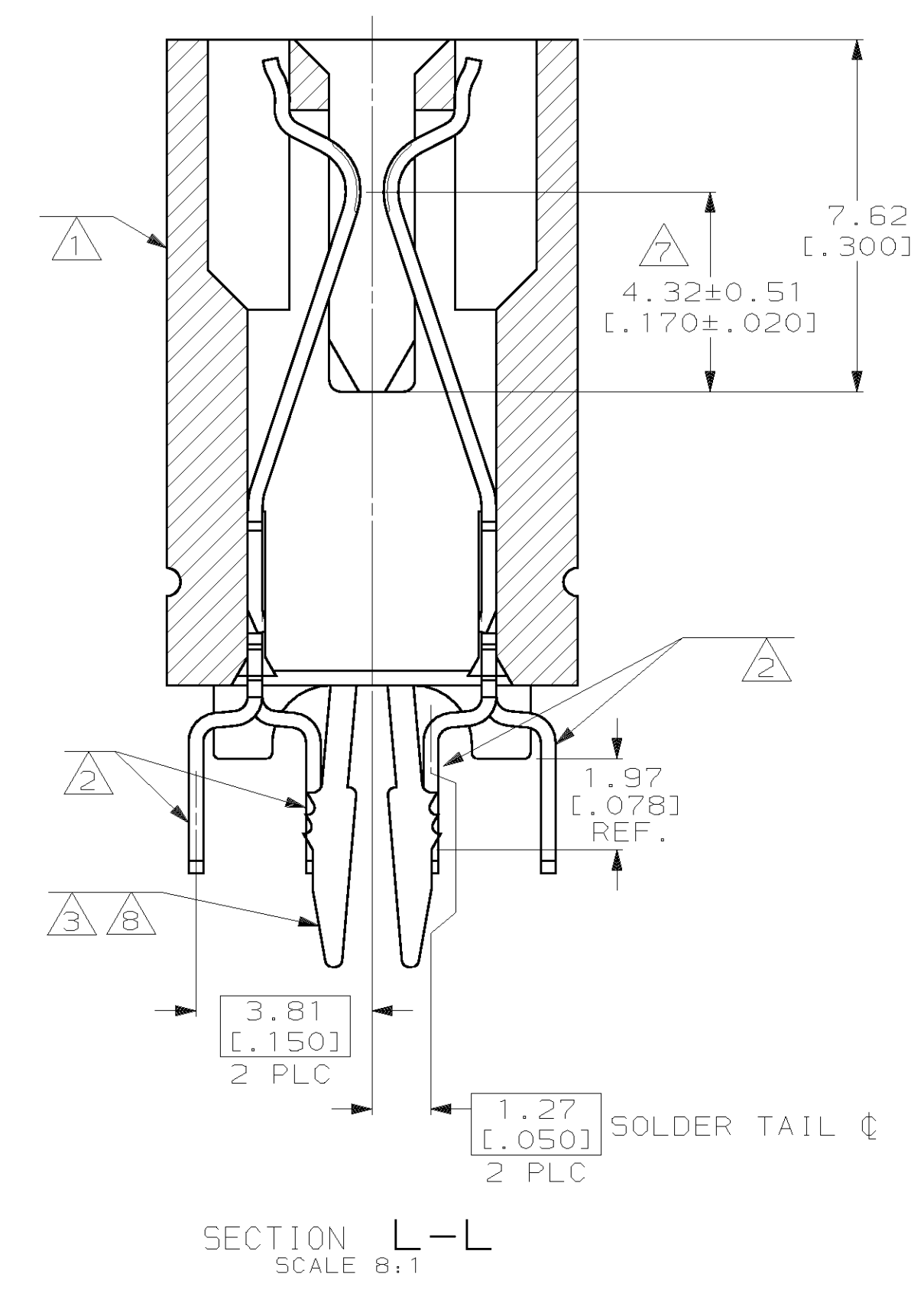
LOC		DIST		P		F		ZONE		LTR		REVISIONS			
GP	00											DESCRIPTION	DATE	APPD	
												F	REVISED PER EC 051B-0278-00	04SEP01	DD



SEE SHEET 2 FOR HOLE PATTERN



- 1 HOUSING: HIGH TEMPERATURE THERMOPLASTIC.
COLOR - NATURAL
- 2 CONTACT: PHOSPHOR BRONZE.
- 3 METAL HOLD DOWN: BRASS
- 4 CONTACT FINISH: .001269[.000050] MIN NICKEL ALL OVER.
GOLD FLASH OVER NICKEL IN CONTACT AREA.
.002537[.000100] MIN TIN-LEAD OVER NICKEL ON SOLDER TAILS.
- 5 CONTACT FINISH: .001269[.000050] MIN NICKEL ALL OVER.
.000375[.000015] GOLD OVER NICKEL IN CONTACT AREA.
.002537[.000100] MIN TIN-LEAD OVER NICKEL ON SOLDER TAILS.
- 6 CONTACT FINISH: .001269[.000050] MIN NICKEL ALL OVER.
.000757[.000030] GOLD OVER NICKEL IN CONTACT AREA.
.002537[.000100] MIN TIN-LEAD OVER NICKEL ON SOLDER TAILS.
- 7 DISTANCE FROM CONTACT POINT TO BOTTOM OF CARD SLOT.
- 8 METAL HOLD DOWN FINISH: .001269[.000050] MIN NICKEL ALL OVER,
.003809[.000150] MIN TIN-LEAD ALL OVER.
- 9 AMP PART NUMBER, DATE CODE AND CSA LOGO MARKED IN APPROXIMATE LOCATION SHOWN.
- 10 CORED OR SOLID SIDE WALLS ARE AT DISCRETION OF AMP INCORPORATED.



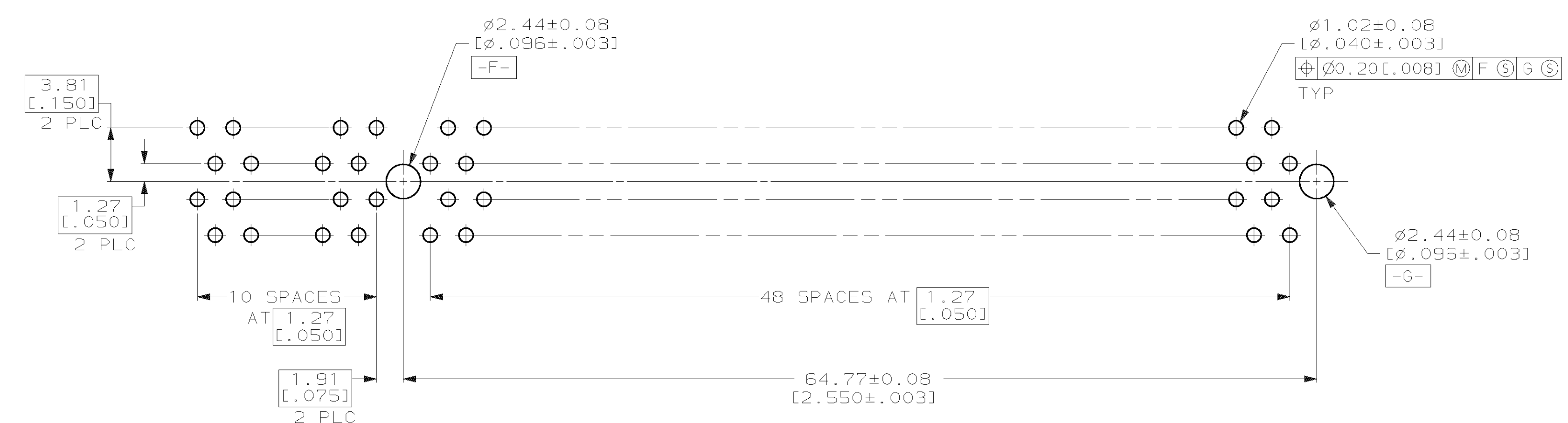
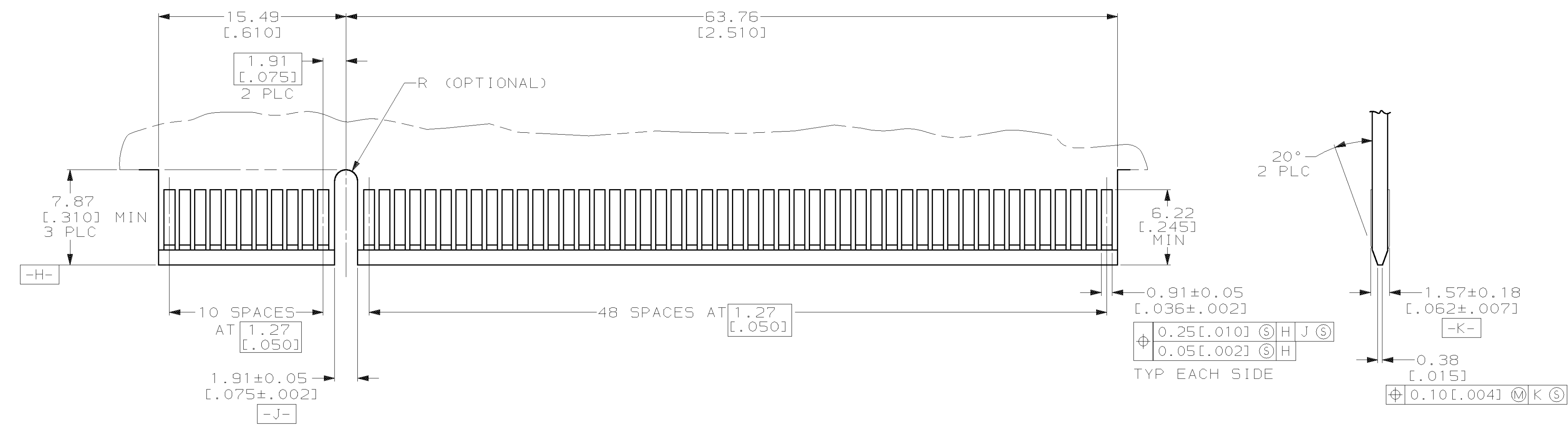
SECTION L-L
SCALE 8:1

4.70 [0.185]	1	1-145167-3
3.56 [0.140]	2	1-145167-2
3.18 [0.125]	3	145167-8
2.54 [0.100]	4	145167-4
2.54 [0.100]	5	145167-3
2.54 [0.100]	6	145167-2
2.54 [0.100]	7	145167-1

W	FINISH	PART NUMBER
---	--------	-------------

DO NOT SCALE PRINT. UNLESS SPECIFIED DIMENSIONS IN mm [INCHES] TOLERANCES ON: 2 PLC DEC ±0.25 [0.01] 3 PLC DEC ±0.127 [0.005] ANGLES ± 2°		DR 6/9/95 R BROWN		AMP Incorporated Harrisburg, PA 17105-3608	
MATERIAL		CHK 6/9/95 M BOWERS			
FINISH		APPD 6/9/95 M BOWERS		NAME CONNECTOR ASSEMBLY, 60 DUAL POSITION, 1.27 [0.050] SERIES, STANDARD EDGE	
4 THRU 7		APPD 6/9/95 D SARVER		SIZE D 00779	
		PRODUCT SPEC 108-14034		DRAWING NO 145167	
		APPLICATION SPEC 114-26012		SCALE 4:1	
		WEIGHT		SHEET 1 OF 2	

LOC		DIST		P		F		ZONE		LTR		REVISIONS	
DESCRIPTION	DATE	APPD											
GP 00													SEE SHEET 1



DO NOT SCALE PRINT. UNLESS SPECIFIED DIMENSIONS IN mm [INCHES] TOLERANCES ON: 2 PLC DEC ±0.25 [.01] 3 PLC DEC ±0.127 [.005] ANGLES ± 2°	DR 6/9/95 R BROWN	AMP Incorporated Harrisburg, PA 17105-3608
	CHK 6/9/95 M BOWERS	
MATERIAL	APPD 6/9/95 D SARVER	NAME CONNECTOR ASSEMBLY, 60 DUAL POSITION, 1.27 [0.050] SERIES STANDARD EDGE
SEE SHEET 1	PRODUCT SPEC 108-14034	SIZE D 00779
FINISH	APPLICATION SPEC 114-26012	DRAWING NO 145167
SEE SHEET 1	WEIGHT	SCALE 4:1
		SHEET 2 OF 2